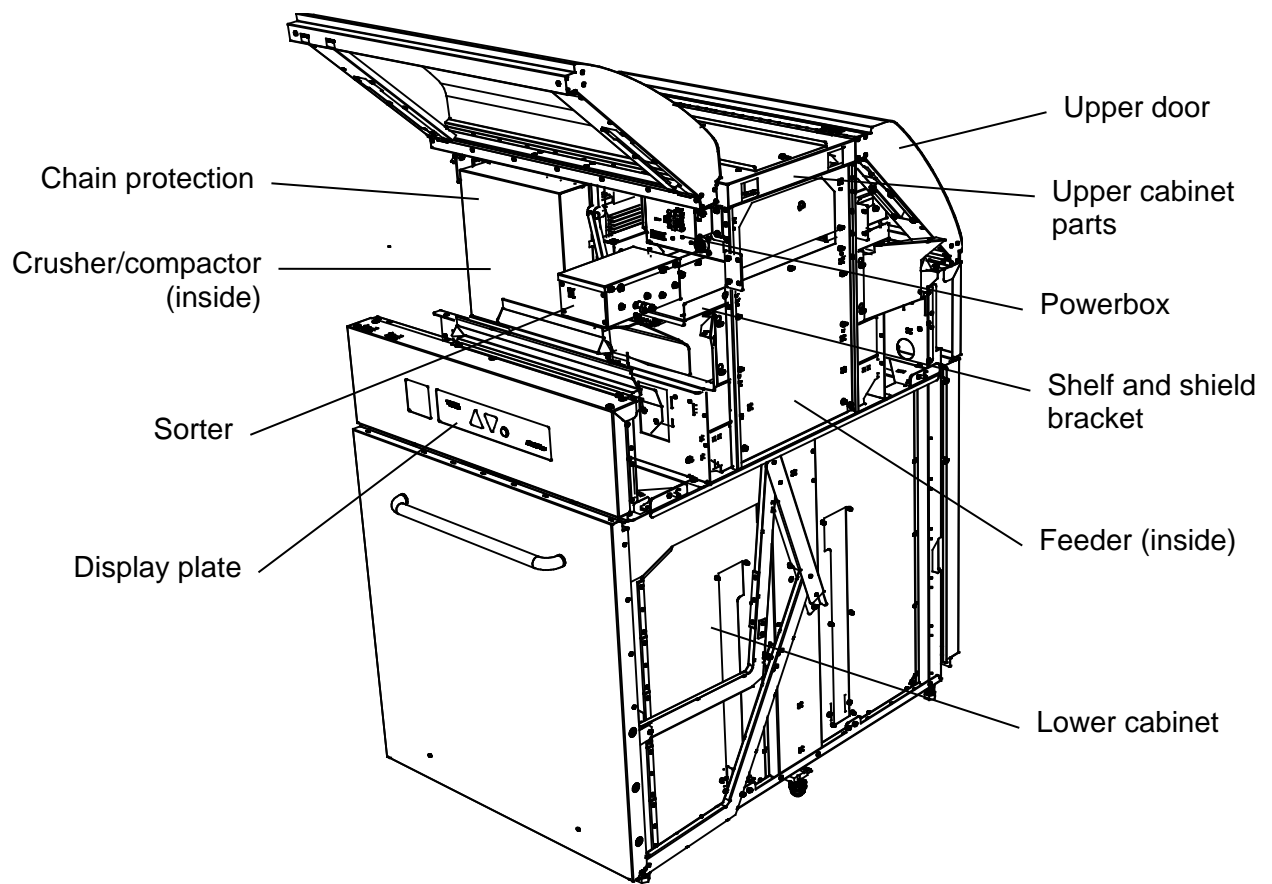


# 90136XXX (50136036) MULTIPAC UNIT LF/RGT



Location of the parts to be disassembled. For detailed description of dismantling procedures, please refer to the *MultiPac Service Manual (70136006)*.

<i>Revision level</i>	<i>Date</i>	<i>Description</i>
A	May 2012	Initial version.
B	September 2014	Shorter doors.

There are variants of the MultiPac cabinets, causing minor individual weight differences.

Material type	Weight (kg)	Material type	Weight (kg)
Steel and iron	Long doors: 347 Short doors: 344	Plastics	Long doors: 5 Short doors: 6
Aluminium	—	Rubber	1
EEE parts	38.2	Other	—

*All weights are approximate.*

Parts containing plastic and steel should be separated. Printed circuit boards should be separated from steel.

**Suggested tools:**

- Socket wrenches 10, 13 and 17 mm.
- Torx screwdrivers T20, T25 and T30.
- Hex key 4 mm.
- Cross head screwdrivers Poz #1 and #2.
- Cutting pliers, medium.

**Suggested disassembly procedure:**

Step	Part	Material
1	Upper doors	Steel
2	Chain protection, left and right	Steel
3	Cables and sensors, left and right	Plastic and cables (EEE)
4	Power cables	Cables (EEE)
5	Powerbox	Steel, PCB (EEE)
6	Sorters, left and right	Steel, cable (EEE), plastic, motor
7	Crusher	Steel, plastic, motor
8	Shelf and shield bracket	Steel, rubber
9	Feeder	Plastic, steel (EEE)
10	Upper cabinet parts	Steel, cables (EEE)
11	Display plate	Plastic, PCB (EEE)
12	Lower cabinet	Steel, sensors, cables (EEE)